

PULLMAN-HOLT

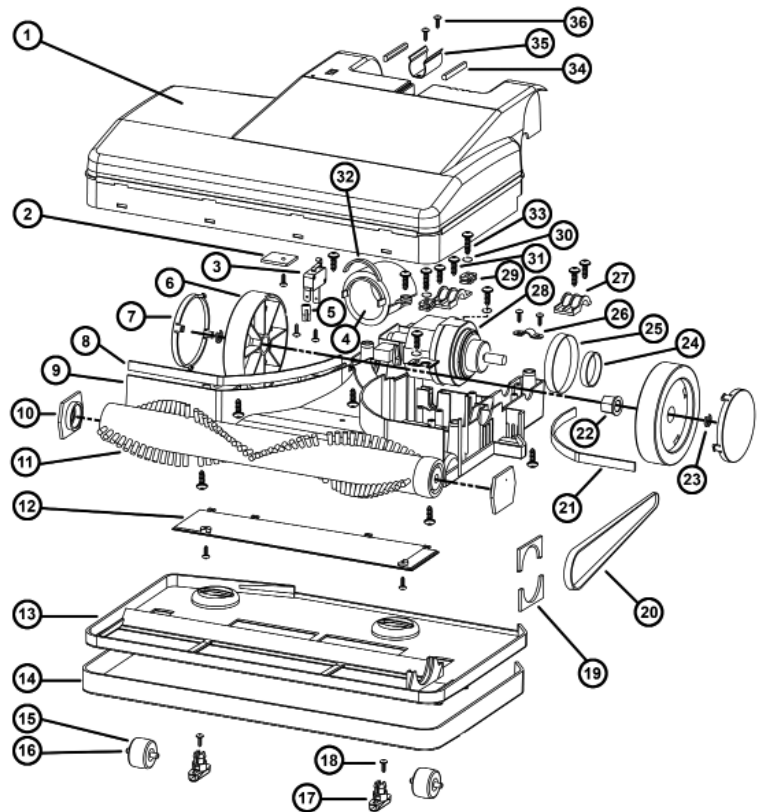
REPLACEMENT PARTS LIST

Save for future reference

Model UV10 Vacuum

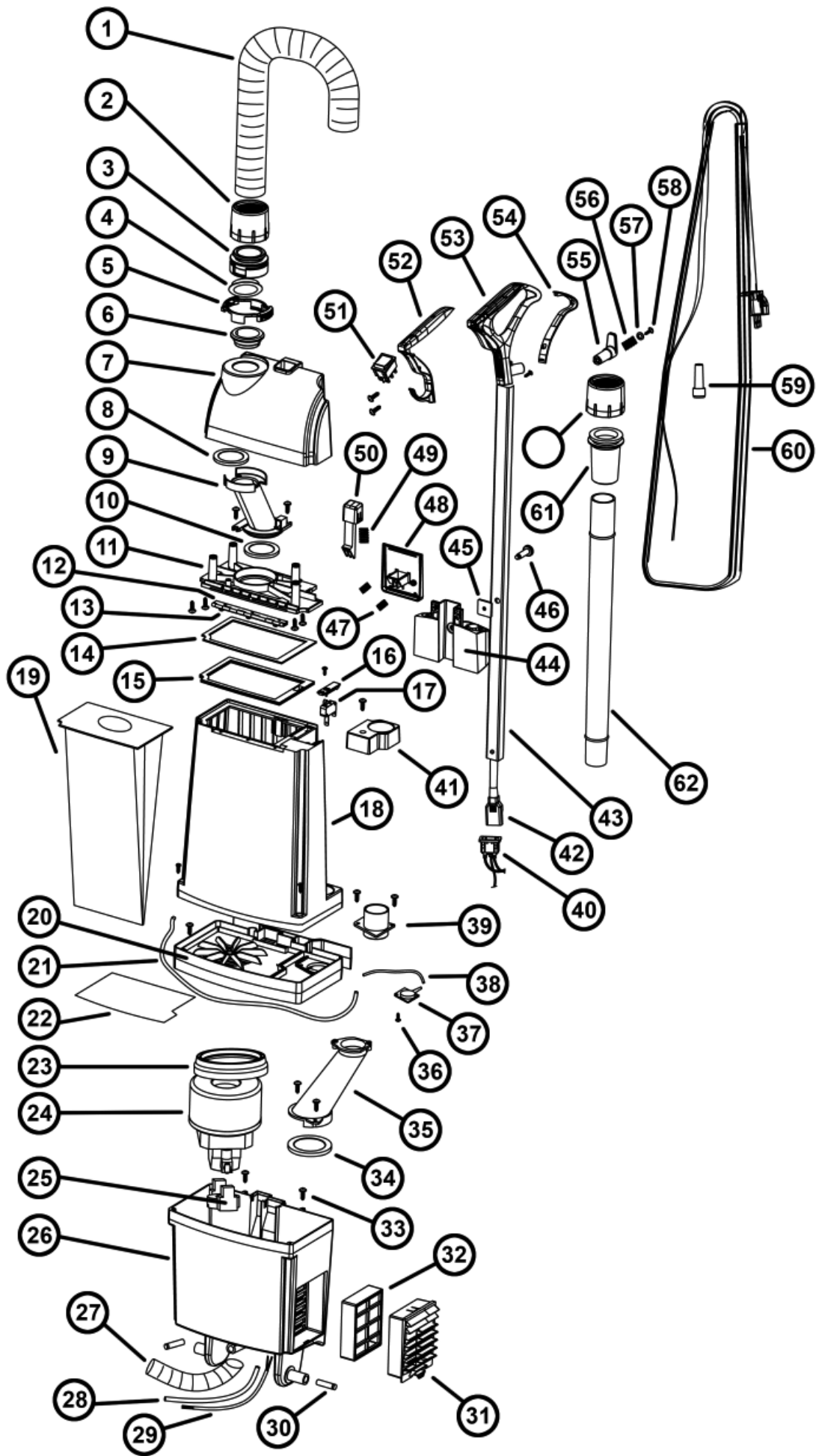
Motor & Housing Assembly

Ref.	Part No.	Description	Qty
1	B100560	Base Cover	1
2		PCB	1
3		Switch	1
4		Hose Joint	1
5		Lamp Holder	1
6	B100563	Wheel Rear	2
7		Wheel Cover	2
8		Sealing Gasket	1
9	B100562	Base Assembly	1
10		Bearing Seal	1
11		Brush	1
12		Small Cover	1
13	B100561	Bottom Plate	1
14		Rubber Bumper	1
15	B100564	Front Wheel	2
16		Axes	2
17		Lower Cover Knob	2
18		Screw	2
19		Sealing Piece	2
20	B100568	Belt	1
21		Sealing Gasket	1
22	B100565	Hub Caps	2
23	B100555	Spring Clip	2
24		Motor Front Gasket	1
25		Motor Rear Gasket	1
26		Cord Fixer	1
27		Motor Housing Fixer	1
28	B100554	Brush Motor	2
29		Fix Gasket	1
30		Spring Washer	4
31		Screw	13
32		Joint Sealing Gasket	1
33		Screw	2
34		Rubber Piece	2
35		Spring Lock	1
36		Screw	7



Vacuum Assembly

Ref.	Part No.	Description	Qty	Ref.	Part No.	Description	Qty
1	B100553	Hose Assembly	1	32	B100558	Exhaust Filter	1
2		Hose Connector	2	33		Screw	17
3		Hose Clip Support	1	34		Inlect Tubing Gasket	1
4		Hose Connector Gasket	1	35		Inlect Tubing	1
5		Hose Clip	1	36		Screw	4
6		Hose Connector Support	1	37		Pression Protect Valve	1
7	B100556	Dustbag Door	1	38		Valve Joint Tubing	1
8		Join Tubing Gasket - 1	1	39		Extension Tubing Insert	1
9		Join Tubing	1	40		Cable Receptacle	1
10		Join Tubing Gasket - 2	1	41		Extension Tubing Support	1
11		Dustbag Middle Support	1	42		Cable Plug	1
12		Hinge	1	43	B100573	Handle Tube	1
13		Screw	6	44		Main Body Handle	1
14	B100570	Dustbag Gasket Upper	1	45	B100567	Handle Nut	1
15	B100569	Dustbag Gasket Lower	1	46	B100566	Handle Bolt	1
16		Dustbag Switch Block	1	47		Slip Block Spring	2
17		Protect Switch	1	48		Slip Block	1
18	B100574	Dustbag Cavity	1	49		Button Spring	1
19	B700096	Dust Bag	1	50		Dustbag Cover Button	1
20		Motor Fix Cover	1	51	B100552	Rocker Switch	1
21		Dustbag Cavity Gasket	1	52		Handle Cover Front	1
22	B100571	Motor Filter Sponge	1	53		Handle Basic	1
23		Motor Gasket Front	1	54		Handle Cover Real	1
24	B100551	Vac Motor	1	55		Cord Clip	1
25		Motor Gasket Real	1	56		Clip Spring	1
26		Motor Housing	1	57		Washer	1
27		Join Hose	1	58		Screw	3
28		Wire Sleeve	1	59		Cord Protector	1
29		Electrical Wire	1	60		Supply Cord	1
30		Metal Shaft	2	61		Extension Tubing Connector	1
31	B100559	Cover Exhaust Filter	1	62	B100572	Wand Tubing	1



PULLMAN-HOLT

10702 N. 46th Street • Tampa, FL 33617
(813) 971-2223 • Fax (813) 971-6090
www.pullman-holt.com