

# PULLMAN-HOLT

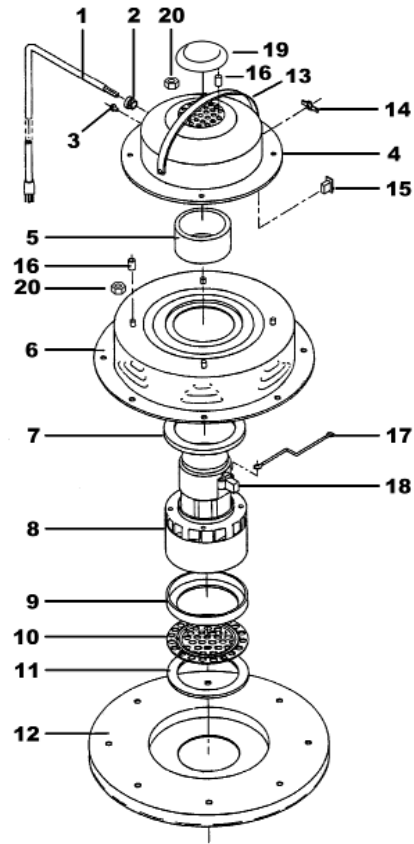
## REPLACEMENT PARTS LIST

Save for future reference

### 102ASB-DA 55 Gallon Wet/Dry

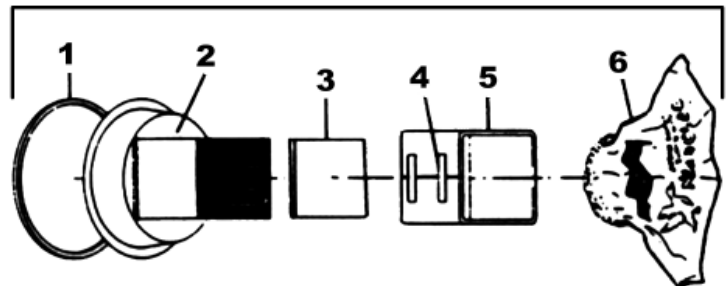
#### Motorhead Assembly

Ref.	Part No.	Description	Qty
1	B701062	Cord Set	1
2	B701063	Strain Relief	1
3	B910014	Ground Screw	1
4	B522099	Dome	1
5	B521533	Gasket	1
6	B527458	Blower Chamber Assembly	1
7	B911083	Gasket	1
8A	B527297	Motor 115V	1
8B	B701293	Motor 230V	1
9	B910091	Gasket	1
10	B913397	Screen Fan Guard	1
11	B911803	Gasket	1
12	B600257	Can Cap	1
13	B911974	Handle	1
14	B910008	Switch Plate	1
15	B701061	Rocker Switch	1
16	B910055	Spacer	7
17	B910004	Wire Assembly	1
18	B700628	Brush Mechanism	2
19	B600404	Splash Guard	1
20	B524231	Spacer Nuts	7
	B520788	W1 Adaptor Kit (not shown) for wet pan and spacer	1
	B160244	Complete Head Assembly	1



#### 16" Hepa Filter

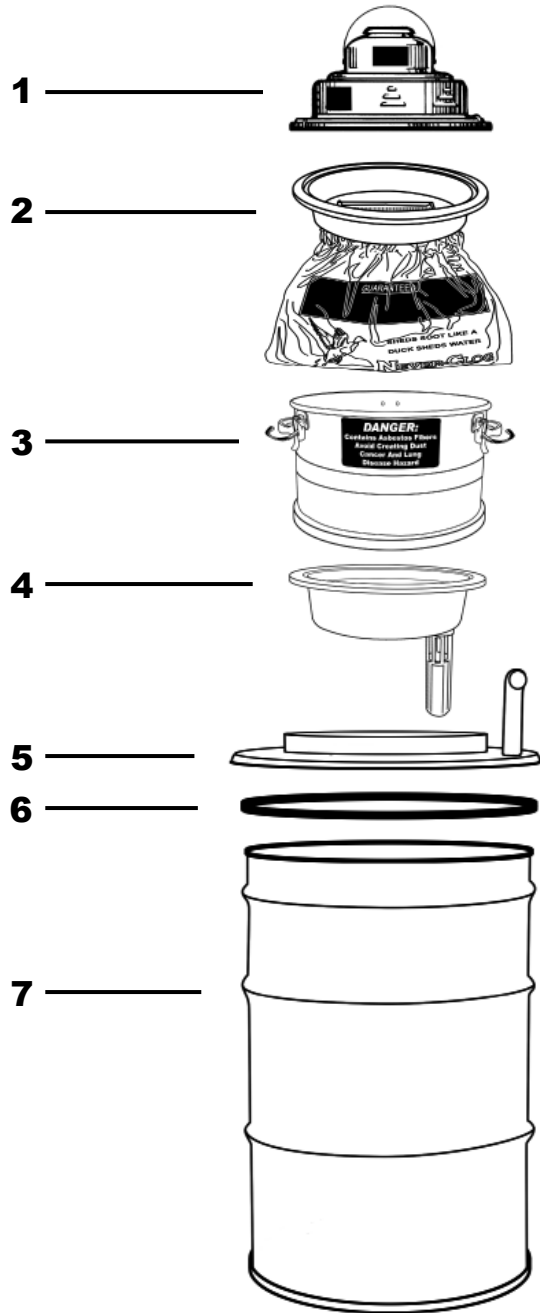
Ref.	Part No.	Description	Qty
1	B000404	Air Seal Gasket	1
2		16" Plastic HEPA	1
3	B700017	HEPA Prefilter	1
4	B527383	Velcro	2
5	B700306	Outer Filter	1
6	B000517	Never Clog Bag	1
7	B160009	HEPA Filter Assembly	1
	B524253	Paper Bag (not shown)	
	B524263	Poly Bag (not shown)	



NOTE: Using replacement HEPA filters other than original factory replacement filters supplied by Pullman-Holt will nullify all warranties, specific or implied.

# DRUM ASSEMBLY

Ref.	Part No.	Description	Qty
1	B160244	102 Head	1
2	B160009	HEPA Filter	1
3	B522916	Spacer	1
4	B260200	Wet Pan	1
5	B000433	Drum Adapter	1
6	B913685	Gasket	1
7		55 Gallon Drum not included	



## Tool Kit

Part No.	Description	Qty
B521007	5' Two-piece Wand	1
B000311	10' Crushproof Hose w Ends	1
B000394	2" Dusting Brush	1
B701615	17" Crevice Tool	1
B527095	Floor Brush Tool	1
B527094	Squeegee Tool	1

